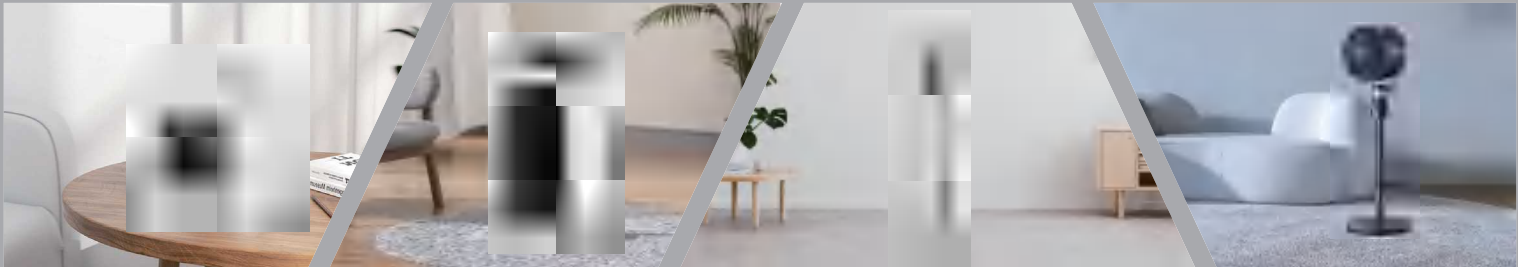




CLIMATE



# 2023 COOLING APPLIANCES



# ABOUT US

LEADER INNOVATION



## PROFESSION

Professional heater & cooler manufacturer

## TECHNOLOGY

Strong R&D team

## INNOVATION

Never stop innovation



# HEATING AND COOLING THE WORLD

**We operate with principles of strong customer focus and continual improvement.**

**Leader Innovation** > Climate treat develop new value for customer as own life. Not only product, but also service, solution of purchasing, business models, even culture innovation. Climate Established in 2022. Focus on DIY range. Specializes in Heating & Cooling, Lighting and some electrical materials. Turnover is 30 million USD in 2022.

**Heater & Cooler Manufacture Group** > As Top heating & cooling supplier in Ningbo area, Climate manufacture and export all kinds of heaters and coolers to the world, especially Europe.

**Climate Advantages** > Whole heating & cooling range for one stop purchasing service. Quality control: Complete certificates approval, CE/GS/SAA/ETL/RoHS/REACH. Provide product orientation development, modeling design, packaging design, inspection services, etc.

## CONTENTS

<b><u>P5</u></b>	FAN
<b><u>P11</u></b>	CIRCULATION FAN
<b><u>P14</u></b>	MIST FAN
<b><u>P15</u></b>	BLADELESS FAN
<b><u>P20</u></b>	TOWER FAN
<b><u>P25</u></b>	WATER TOWER FAN
<b><u>P28</u></b>	AIR COOLER
<b><u>P33</u></b>	METAL FAN
<b><u>P37</u></b>	AIR CONDITIONER



### XJ-30-8SDC-C

- Size: 12inch
- Power:25w
- 12 speed settings
- 3D oscillation function
- 8h timer
- With remote control and touch panel
- 5 wind mode: Normal / Air Circulation /Sleep /Natural/ECO
- Battery capacity 4800mAh, 2-24hr(2h.high-24h.low), charging period 8h

Model	Power	G.W./N.W.(kg)	Gift box(mm)	Export carton(mm)	PCS/20	PCS/40	PCS/40HQ
SJ-30-8SDC-C	25W	5.4/4.2	233x370x800	/	400	840	990



### KYT-50B

- Size: 20inch
- Power: 85w
- 3 speed settings
- Oscillation function
- 120°adjustable up down tilt angel



### KYT-20A

- Size: 8 inch
- Power: 35w
- 3 speed settings
- Oscillation function
- 120°adjustable up down tilt angel

Model	Power	G.W./N.W.(kg)	Gift box(mm)	Export carton(mm)	PCS/20	PCS/40	PCS/40HQ
KYT-50B	85W	3.5/4.25	580x160x585	/	500	1050	1260
KYT-20A	35W	6.6/9.4	285x140x260	450x292x565	2328	4680	5320

### FT23-12A/FT30-12B/FT40-12C

- 9"Table fan12" /16" Table fan
- Power: 25W/45W
- 2 speeds piano key control(Only for FT23-12A)
- 3 speeds piano key control
- With oscillation function
- Three blades
- Mesh grill (Only for FT40-12C)



### FD-40D/FS40-09R

- 16inch
- Oscillation function
- Height adjustable
- 3 speed settings
- With remote control
- 7.5hours timer
- Cross base or round base

Only for FS40-09R

- With remote control
- 7.5hours timer
- 3 type wind



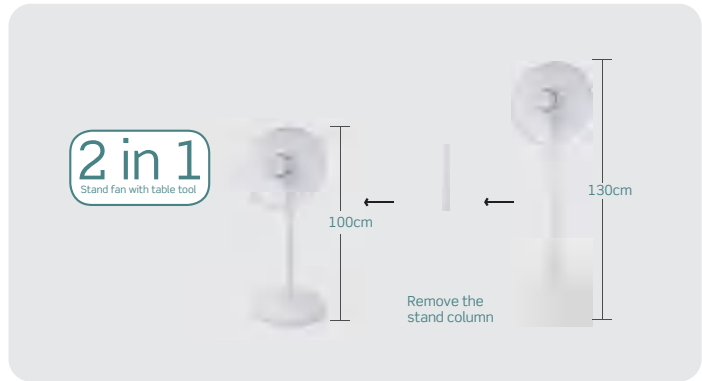
### CFS-LD405/CFS-LD405R

- 16"Standing fan
- Power: 60W
- Noise level: <60dB
- 7 PP blades
- 3 Speed choices
- Angular freedom
- Touch switch
- 1 hour timer
- Automatic horizontal and mechanical vertical swing

- Only for CFS-LD405R
- LED display
  - Remote control
  - 0-12 hours timer



Model	Power	G.W./N.W.(kg)	Gift box(mm)	Export carton(mm)	PCS/20	PCS/40	PCS/40HQ
FT23-12A	25W	1.5/1.3	315x175x275	315x175x275	1656	3960	4624
FT30-12B	45W	1.9/1.7	370x170x355	370x170x355	1290	2580	3130
FT40-12C	45W	2.2/1.8	440x180x450	440x180x450	890	1730	2103
FS40D/FS40-09R	60W	2.5/3.0	505x145x425	505x145x425	903	1870	2193
CFS-LD405/CFS-LD405R	60W	6.5/5.2	455x235x495	455x235x495	/	/	1300



### XJ-35-40/XJ-35-40R

- Ø35cm/14inch
  - Power: 45W
  - Fan blades: 5
  - 3 speed settings
  - With oscillation function
  - Up and down adjustable
  - Bow and upward adjustable
  - Stand and table 2 in 1
- Only for XJ-35-40R
  - LED display
  - With timer
  - With remote control

### FS-459

- Size: 18inch
- Power: 50W
- 3 speed settings
- Oscillation function
- With remote control
- With timer



More colors for option  
● Black

### XJS-40-4R

- Size: 16inch
- Power: 50W
- 3 speed settings and 3 wind type for selection:Natural/Sleep/Normal
- Oscillation function
- Up and down adjustable
- 1-12h timer
- LED display



### XJ-30-11/XJ30-11DC

- Size: 12inch
  - Power: 50W
  - 3 speed settings
  - Oscillation function
  - Up and down adjustable and touch panel
  - Table and stand 2 in 1
- Only for J-30-11DC
  - Power: 30W
  - 4 speed settings
  - With remote control



Model	Power	G.W./N.W.(kg)	Gift box(mm)	Export carton(mm)	PCS/20	PCS/40	PCS/40HQ
XJ-35-40/XJ-35-40R	45W	6.1/4.7	540x190x620	540x190x430	640	1320	1550
FS-459	50W	7.0/6.0	545x135x495	/	526	1183	1490
XJ-40-4R	50W	8.5/7.5	660x220x470	/	410	850	980
XJ-30-11/XJ30-11DC	50W/30W	3.4/2.7	185x365x450	/	900	1900	2220

FAN



**2 in 1**  
Stand fan with table tool



### XJ-30-1DC/XJ-30-2DC/XJ-30-3DC

- With ADAPTOR
- DC fan with LED
- Ø30cm/12inch
- DC 24V motor
- Stand(90cm high) and table(49cm high)
- Normal/Natural/Sleep/ECO 4 wind mode
- Oscillation function
- With remote control and panel two operation
- Power: 25W
- 2 in 1
- 1-12 speeds
- 8h timer



XJ-30-5DC

XJ-30-6DC

XJ-30-8DC



Easy to install

### XJ-30-5DC/XJ-30-6DC/XJ-30-8DC

- Inside ADAPTER
- DC fan with LED
- Ø30cm/12inch
- DC 24V motor
- Normal/Natural/Sleep/ECO 4 wind mode
- Oscillation function
- With remote control and panel two operation
- Power: 25W
- 1-12 speeds
- 8h timer

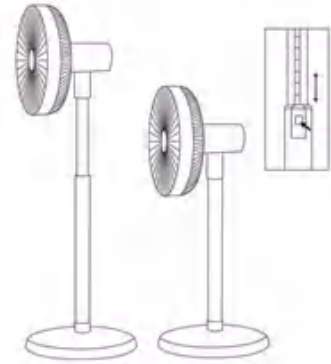
Model	Power	G.W./N.W.(kg)	Gift box(mm)	Export carton(mm)	PCS/20	PCS/40	PCS/40HQ
XJ-30-1DC	25W	5.0/3.7	490×345×405	490×345×405	410	880	1030
XJ-30-2DC	25W	5.0/3.7	490×345×405	490×345×405	410	880	1030
XJ-30-3DC	25W	5.0/3.7	490×345×405	490×345×405	410	880	1030
XJ-30-5DC	25W	3.9/2.9	780×195×355	780×195×355	540	1120	1310
XJ-30-6DC	25W	3.9/2.9	780×195×355	780×195×355	540	1120	1310
XJ-30-8DC	25W	3.9/2.9	780×195×355	780×195×355	540	1120	1310





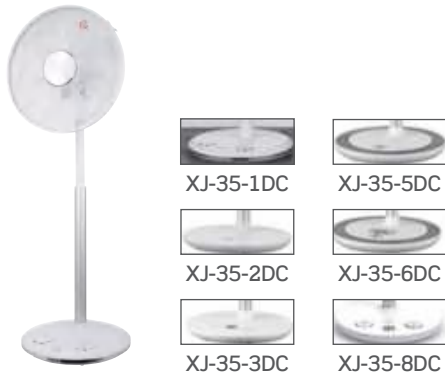
XJ-30-6SDC

Easy to adjust height

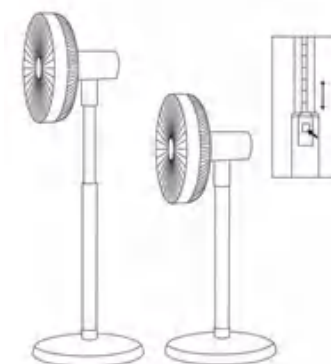


### XJ-30-6SDC

- Inside ADAPTER
- DC fan with LED
- Ø30cm/12inch
- DC 24V motor
- Right and left oscillation + downward and upward oscillation
- Manual 86cm-108cm height adjustable
- Normal/Natural/Sleep/ECO 4 wind mode
- With remote control and panel two operation
- Power: 25W
- 1-12 speeds
- 8h timer



Easy to adjust height



### XJ-35-1DC/XJ-35-2DC/XJ-35-3DC/XJ-35-5DC/XJ-35-6DC/XJ-35-8DC

- Inside ADAPTER
- DC fan with LED
- Ø36cm/14inch
- DC 24V motor
- Manual 86cm-108cm height adjustable Normal/Natural/Sleep/ECO 4 wind mode
- With remote control and panel two operation
- Power: 30W
- 1-12 speeds
- 8h timer

Model	Power	G.W./N.W.(kg)	Gift box(mm)	Export carton(mm)	PCS/20	PCS/40	PCS/40HQ
XJ-30-6SDC	25W	5.2/4.0	810×190×360	810×190×360	510	1050	1230
XJ-35-1DC	30W	4.6/3.4	780×185×400	780×185×400	490	1040	1180
XJ-35-2DC	30W	4.6/3.4	780×185×400	780×185×400	490	1040	1180
XJ-35-3DC	30W	4.6/3.4	780×185×400	780×185×400	490	1040	1180
XJ-35-5DC	30W	4.6/3.4	780×185×400	780×185×400	490	1040	1180
XJ-35-6DC	30W	4.6/3.4	780×185×400	780×185×400	490	1040	1180
XJ-35-8DC	30W	4.6/3.4	780×185×400	780×185×400	490	1040	1180

FAN

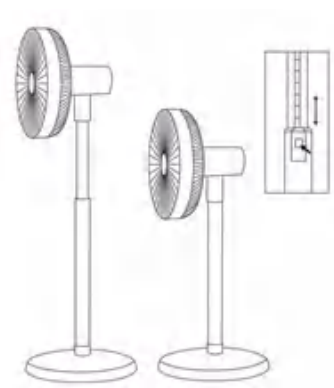
FAN



XJ-35-1SDC

XJ-35-9SDC

Easy to adjust height



### XJ-35-1SDC/XJ-35-9SDC

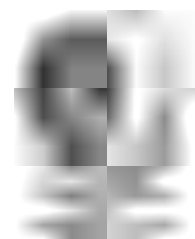
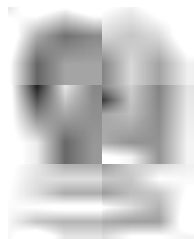
- 1DC: outer ADAPTER
- 9SDC: inside ADAPTER
- DC fan with LED
- Ø36cm/14inch
- Right and left oscillation + Downward and upward oscillation
- 2 in 1 108cm or 88cm two high choice
- Normal/natural/sleep/ECO 4 wind mode
- With remote control and panel two operation
- DC24V motor
- Power: 30W
- 1-12 speeds
- 8h timer

Model	Power	G.W./N.W.(kg)	Gift box(mm)	Export carton(mm)	PCS/20	PCS/40	PCS/40HQ
XJ-35-1SDC/XJ-35-9SDC	30W	4.6/3.4	780×185×400	780×185×400	490	1040	1180

**CF-2109**

- Power:50w
- 3 speed settings
- 70° horizontal oscillating
- 90° vertical oscillating
- 3 product height adjustment: 59cm/66cm/95cm

Model	Power	G.W./N.W.(kg)	Gift box(mm)	Export carton(mm)	PCS/20	PCS/40	PCS/40HQ
CF-2109	50W	3.74/2.7	425x425x245	425x425x245	/	1250	1500

**FXH1507J/FXH1507R**

- Power:35w
- 3 speed settings
- Auto oscillation,manual swing up and down

Only for FXH1507R

- 1-7h time
- LED display with touch panel
- With remote control

**FXH1511DC**

- DC motor: 15w
- 8 speeds levels
- 70°oscillating from left to right
- 90°manual oscillating up and down
- Large control panel
- Touch control panel
- Easier life with remote control
- With LED display
- 8 hours timer
- Big stable base ,not easy to fall down

Model	Power	G.W./N.W.(kg)	Gift box(mm)	PCS/20	PCS/40	PCS/40HQ
FXH1507J/FXH1507R/ FXH1511DC	35W	2.0/1.5	265x255x325	1443	2990	3505

## FD-202J/FD-201R

- Power:40w
- 3 speed settings
- Auto oscillation,manual swing up and down

Only for FD-201R

- 1-9h timer
- Led display with touch panel
- With remote control



## SAC-11/SAC-11E

- Power:35w
- 3 speed settings
- Oscillation function
- Up and down adjustable

Only for SAC-11E

- 7.5h timer
- With remote control and touch panel



## CF-2002/CF-2002Y

- Power: 50W
- Portable handle
- 3 Speed Levels
- 70 degree auto oscillating from left to right
- 90 degree manual oscillating up and down
- Big stable base,not easy to fall down

Only for CF-2002Y

- 3 Speed Levels & 3 Breeze Models
- 60 seconds automatically turn off the scre
- 15hours
- With LED display
- With remote control



## CF-2001

- Power: 50W
- 3 Speed Levels
- 70 degree auto oscillating from left to right
- 90 degree manual oscillating up and down
- Big stable base,not easy to fall down
- Portable handle



Model	Power	G.W./N.W.(kg)	Gift box(mm)	PCS/20	PCS/40	PCS/40HQ
FD-202J/FD-201R	40W	2.7/2.0	335×195×355	1207	2500	2931
SAC-11/SAC-11E	35W	3.6/4.2	275×265×425	757	1430	1727
CF-2002/CF-2002Y	50W	3.5/2.9	340×315×450	/	/	1430
CF-2001	50W	3.4/2.6	340×315×450	/	/	1430

## BL-XHS-1J/BL-XHS-1D

- Power:40w
- 3 speed settings
- 1-8h timer
- Auto oscillation,manual swing up and down

Only for BL-XHS-1D

- With LED display
- With touch control



## BL-XHS-2J/BL-XHS-2D

- Power:40w
- 3 speed settings
- Auto oscillation,manual swing up and down

Only for BL-XHS-2D

- 1-7h timer
- With LED display
- With touch control



## BL-XHS-3J/BL-XHS-3D

- Power:40w
- 3 speed settings
- 1-7h timer
- Auto oscillation,manual swing up and down

Only for BL-XHS-3D

- With LED display
- With touch control



## CF-2109Y

- Power:50w
- 3 speed settings
- 70° horizontal oscillating
- 90° vertical oscillating
- 3 product height adjustment:59cm/66cm/95cm
- 3 wind type for selection:Natural/Sleep/Normal
- 1-15h timer
- LED display and touch control
- Automatic 3D oscillation



Model	Power	G.W./N.W.(kg)	Gift box(mm)	PCS/20	PCS/40	PCS/40HQ
BL-XHS-1J/BL-XHS-1D	40W	2.9/2.3	510x350x315	460	990	1283
BL-XHS-2J/BL-XHS-2D	40W	2.9/2.3	515x355x310	460	990	1280
BL-XHS-3J/BL-XHS-3D	40W	2.9/2.3	540x350x310	460	990	1283
CF-2109Y	50W	3.74/2.7	425x425x245	570	1250	1500

## S25-18

- Mist fan,table fan,humidifier 3in1
- Power:65w
- 3 speed settings: Natural/Sleep/Normal
- 0.5-7.5h timer
- 2.4L water tank
- LED display and touch control
- Auto oscillation,manual swing up and down
- With remote control
- Humidifier and fan can be used separately or together
- 32 speed settings DC motor for option

Model	Power	G.W./N.W.(kg)	Gift box(mm)	PCS/20	PCS/40	PCS/40HQ
S25-18	65W	7.8/6.6	610x275x565	/	/	612



## LB-FS09M/LB-FS09R

- 16"
- Power:75W
- With oscillation function
- 3 speeds
- 2.8L water tank
- Humidifier and fan can be used separately or together

- Only for LB-FS09R
- 3 wind types
  - Control panel
  - 0.5-7.5h timer

Model	Power	G.W./N.W.(kg)	Gift box(mm)	PCS/20	PCS/40	PCS/40HQ
LB-FS09M	75W	8.3/7.0	600x230x435	480	1010	1160
LB-FS09R	75W	8.3/7.0	600x230x435	480	1010	1160
LB-FS06	75W	6.3/5.2	600x268x440	405	830	985



## LB-FS06

- 16"
- Power:75W
- Oscillation function and tilt function
- LED display with touch panel
- 3 speed setting and wind type for selection
- 2L water tank
- Humidifier and fan can be used separately or together
- 1-12h timer
- With remote control

## SKJ-CR051



- Tripod Fan+suspendid air purifier
- UV sterilication for option
- Room temperature/Humidity value display
- Touch-sensitive control;LCD display to show real time air quality value.
- Auto mode:Air speed will be changed as per room temperature
- DC motor
- Osillation:30°-60°-90°-120°,tilt back&front adjustable:30°
- 1-8h timer off(operate in remote control)
- 1-9 air speed
- 4 mode settings:Sleep mode/Max mode/Auto mode/Natural Wind
- HEPA filter for option
- Temperature/Humidity sensor for option
- UV sterilication for option
- WIFI&APP control for option



Model	Power	G.W./N.W.(kg)	Gift box(mm)	PCS/20	PCS/40	PCS/40HQ
SKJ-CR051	35W	8.9/7.0	860x340x415	365	730	835

## SKJ-CR050



- Tripod Fan+suspendid air purifier
- UV sterilication for option
- Room temperature/humidity value display
- Touch-sensitive control;LCD display to show real time air quality value.
- Auto mode:Air speed will be changed as per room temperature
- DC motor
- Osillation:30°-60°-90°-120°, tilt back&front adjustable: 30°
- T1-8h timer off(operate in remote control)
- 1-9 air speed,sleep mode/Max mode/Auto mode/Natural Wind
- HEPA Filter for option
- Temperature/Humidity sensor for option
- UV sterilication for option
- WIFI&APP control for option



BLADELESS FAN

Model	Power	G.W./N.W.(kg)	Gift box(mm)	PCS/20	PCS/40	PCS/40HQ
SKJ-CR050	35W	8.6/6.7	590x340x415	360	740	820

## SKJ-CR018HM



- Power:2000W
- Osillation:90°
- 1-8h timer off
- Aluminium air outlet
- Sleep mode/strong mode
- Cooling and heating is combined
- 1-9 air speed with remote control
- Heating temperature setting:1°C-30°C
- Automatically turn off when tipped over
- WIFI & APP control/Support voice control via Echo/Google home(for option)
- Touch-sensitive control/Digital display
- DC motor/Invisible fan blade safer and easier to clean
- Ambient temperature protection(Heat will stop when reach
- Set temperature/re-work when room temperature is below set one.)

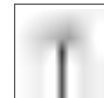
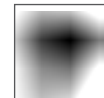


More colors for option  
● Black

## SKJ-CR010C/SKJ-CR010CF



- Power: 26W
- DC motor
- 1-8h timer off
- 1-9 air speed
- Air volume:43M<sup>3</sup>/min
- Top storage design for remote control
- Touch-sensitive control/Digital display
- Osillation:80°(automatically for left/right)
- Invisible fan blade,safer and easier to clean
- Wifi function(SKJ-CR010CF)
- Atmosphere lamp
- Aluminium air outlet
- Sleep mode/strong mode
- Electromagnet latch design



More colors for option  
● Black

## SKJ-CR015C/SKJ-CR015CF



- Power: 26W
- DC motor
- 1-9 air speed
- 1-8h timer off
- Sleep mode/strong mode
- Electromagnet latch design
- Top storage design for remote control
- Touch-sensitive control/Digital display
- Osillation:80°(automatically for left/right)
- Invisible fan blade,safer and easier to clean
- Wifi function(SKJ-CR015CF)
- Atmosphere lamp
- Aluminium air outlet
- Air volume:43M<sup>3</sup>/min



More colors for option  
○ White

Model	Power	G.W./N.W.(kg)	Gift box(mm)	PCS/20	PCS/40	PCS/40HQ
SKJ-CR018HM	2000W	5.4/3.5	285x285x920	400	880	1050
SKJ-CR010C/SKJ-CR010CF	26W	4.2/2.6	255x255x1010	400	880	1050
SKJ-CR015C/SKJ-CR015CF	26W	4.4/2.5	275x275x1085	300	660	785



## SKJ-CR100



- DC 12V,with Adapter
- Vertical fix and Horizontal fix
- Aroma diffuser for option
- Touch-sensitive control;Digital display
- Dual DC motor
- 1-4h timer off
- 1-4 air speed
- Wifi control for option
- LED light for option
- Lithium Battery for option



## SKJ-CR020



- Power:35W
- DC motor
- Osillation:80°
- Sleep mode/strong mode
- HEPA filter to clean room air
- Touch-sensitive control/Digital display
- Invisible fan blade,safer and easier to clean
- 1-8h timer off
- 1-10 air speed
- Wifi function for option



More colors for option  
 ○ White  
 ● Black

## SKJ-CR021



- Power:35W
- DC motor
- Osillation:80°
- Sleep mode/strong mode
- HEPA filter to clean room air
- Touch-sensitive control/Digital display
- Invisible fan blade,safer and easier to clean
- 1-8h timer off
- 1-10 air speed
- Wifi function for option



More colors for option  
 ○ White  
 ● Black

## SKJ-CR022



- Power:35W
- DC motor
- Osillation:80°
- Sleep mode/strong mode
- HEPA filter to clean room air
- Touch-sensitive control/Digital display
- Invisible fan blade,safer and easier to clean
- 1-8h timer off
- 1-10 air speed
- Wifi function for option



More colors for option  
 ○ White  
 ● Black

BLADELESS FAN

Model	Power	G.W./N.W.(kg)	Gift box(mm)	Export carton(mm)	PCS/20	PCS/40	PCS/40HQ
SKJ-CR100	20W	2.3/1.9	400x250x170	400x250x170	1520	3040	3600
SKJ-CR020	35W	5.0/3.5	280x390x623	280x390x623	380	810	950
SKJ-CR021	35W	5.0/3.5	280x280x620	280x280x620	520	1140	1340
SKJ-CR022	35W	5.0/3.5	280x280x815	280x280x815	380	810	950

## SKJ-CR026H



- Power:2000W(Heating);35W(Cooling)
- Osillation:80°
- 1-8H timer off(operate in remote control)
- 1-9 air speed for cooling mode,sleep mode/strong mode
- 1-4 air speed for heating mode
- Touch-sensitive control
- Digital display
- Humidity value display
- Heating temperature setting:1 C -30 C
- Ambient temperature protection
- WIFI&APP control/Support voice control via Echo/Google home(for option)



## TF-2008Y/TF-2009Y

- Power: 50W
- 15 hours timer
- 3 breeze models
- 3 speed levels(AC) and 12 speed levels(DC)
- 70 degree horizontal oscillating
- With LED display
- Touch button + remote control
- Room temperature display in real time
- 3 minutes automatic screen off function



## SKJ-CR013/SKJ-CR013F



- Power: 35W
- DC 24V adapter
- With HEPA filter
- Aluminium air outlet
- Sleep mode/strong mode
- Double wind tunnel for stronger airflow
- Invisible fan blade,safer and easier to clean
- Touch-sensitive control panel on the top+Wifi function(SKJ-CR013F)
- Osillation:90°
- 1-8h timer off
- 1-9 air speed



More colors for option  
● Black

Model	Power	G.W./N.W.(kg)	Gift box(mm)	Export carton(mm)	PCS/20	PCS/40	PCS/40HQ
SKJ-CR026H	2000W/35W	6.2/4.6	770×315×300	770×315×300	400	800	910
TF-2008Y	50W	4.7/3.3	1020×290×300	1020×290×300	/	/	760
TF-2009Y	50W	4.6/3.2	1020×230×275	1020×230×275	/	/	950
SKJ-CR013/SKJ-CR013F	35W	7.5/4.5	275×275×1120	275×275×1120	340	680	800

## TF-1918Y/PTC-1918Y

- Power: 50W
- 15 hours timer
- With LED display
- 70 degree horizontal oscillating
- 6m long distance remote control
- 3 Speed Levels & 3 Breeze Models
- Big stable base, not easy to fall down
- 60 seconds automatically turn off the screen
- Touch switch control
- Decorative light option
- Negative ion option

Only for PTC-1918Y

- 3 heating power: 30/1000W/2000W
- Overheating protection
- With tip-over safety switch
- Cool/warm/hot wind for selection
- Safety PTC ceramic heating element
- Room temperature display in real time
- 3 minutes automatic screen off function
- 12 hours timer
- Remote control option
- 30 seconds automatic delay shutdown



## BFT1901R

- Power: 50w
- 3 Speed settings
- 3 Modes: Sleep/Nature/Normal
- 7.5h timer
- With remote control



BLADELESS  
FAN

Model	Power	G.W./N.W.(kg)	Gift box(mm)	Export carton(mm)	PCS/20	PCS/40	PCS/40HQ
TF-1918Y	50W	6.8/5.1	1000×280×215	1000×280×215	/	/	1130
PTC-1918Y	30W/1000W/2000W	6.8/5.1	1000×280×215	1000×280×215	/	/	1130
BFT1901R	50W	4.7/3.1	275×275×945	275×275×945	400	800	920



### ATF-016/ATF-016L

- Product height : 31 inches
- Mechanical control
- 3 speed settings
- Rated power: 60W
- Widespread oscillation
- 2 Hours timer settings
- Remote controls and push button on the top panel(noly for ATF-016L)
- With LED indicator light and temperature display(noly for ATF-016L)
- 0-12 Hours timer settings(noly for ATF-016L)

Model	Power	G.W./N.W.(kg)	Gift box(mm)	PCS/20	PCS/40	PCS/40HQ
ATF-016/ATF-016L	60W	3.2/2.6	185×175×820	/	2210	2540

TOWER FAN



### ATF-016H

- Product height : 35.5 inches
- Mechanical control
- 3 speed settings
- Rated power: 60W
- Widespread oscillation
- 2 Hours timer settings

Model	Power	G.W./N.W.(kg)	Gift box(mm)	PCS/20	PCS/40	PCS/40HQ
ATF-016H	60W	3.5/2.9	185×175×940	/	1920	2240
ATF-016HL	60W	3.5/2.9	185×175×940	/	1920	2240



### ATF-016HL

- Product height : 35.5 inches
- Remote controls and push button on the top panel
- With LED indicator light and temperature display
- 3 speed settings
- Rated power: 60W
- Widespread oscillation
- 0-12 Hours timer settings

## FTS005/FTS006

- Product height : 13 inches
- Mechanical control
- 3 speed settings
- Rated power: 30W
- Oscillation function
- 0-12hours timer



## FTS005R/FTS006R

- Product height : 13 inches
- With LED display and touch panel
- 3 speed settings:Natural/Sleep/Normal
- Rated power: 30W
- Oscillation function
- 1-12 hours timer
- With remote control



## TF802

- Product height : 31 inches
- 3 speed settings
- Rated power: 65W
- Widespread oscillation
- 2H timer(only for TF802T)

Only for TF802B

- With 24 hours timer
- With remote control
- With LED display
- Touch control



## TF803

- Product height : 31 inches
- 3 speed settings
- Rated power: 45W
- Widespread oscillation
- 2H timer(only for TF803T)

Only for TF803B

- With 7.5 hours timer
- With remote control
- With LED display
- Touch control



Model	Power	G.W./N.W.(kg)	Gift box(mm)	PCS/20	PCS/40	PCS/40HQ
FTS005/FTS006	30W	1.5/1.2	120×120×370	5250	11000	12800
FTS005R/FTS006R	30W	1.5/1.2	120×120×370	5250	11000	12800
TF802 series	65W	2.7/2.4	190×150×810	1200	2500	2900
TF803 series	45W	3.0/2.8	185×190×815	950	2000	2300

## ATF-011/ATF-011L

- Product height : 35 inches
- Rated power: 60W
- Mechanical control
- 3 speed settings
- Widespread oscillation
- Easy carry handle

Only for ATF-011L

- With remote control
- With touch button
- With LED display
- 3 wind types
- 1-12 hours timer
- With room temperature display



## FTS011R

- Product height : 36 inches
- With LED display and touch panel
- 3 speed settings:Natural/Sleep/Normal
- Rated power: 60W
- Oscillation function
- 1-12 Hours timer
- With remote control



## BL-FS3-J/BL-FS3-D

- Product height :37 inches
- 3 speed settings
- Rated power: 50W
- Widespread oscillation

Only for BL-FS3-D

- 0-12 hours timer settings
- With remote controls
- With LED display
- With 3 wind types



## BL-FS8-J/BL-FS8-D

- Product height :37 inches
- 3 speed settings
- Rated power: 50W
- Widespread oscillation

Only for BL-FS8-D

- 0-12 hours timer settings
- With remote controls
- With LED display
- With 3 wind types



Model	Power	G.W./N.W.(kg)	Gift box(mm)	PCS/20	PCS/40	PCS/40HQ
ATF-011/ATF-011L	60W	3.5/2.8	924x186x175	895	1950	2258
TFS011R	60W	4.2/3.5	185x225x935	735	1520	1780
BL-FS3/BL-FS8	50W	4.0/3.2	200x195x955	730	1540	1716

## FTS001R/FTS002R

- Product height : 41 inches
- With LED display and touch panel
- 3 speed settings and wind type for selection:Natural/Sleep/Normal
- Rated power: 60W
- Oscillation function
- 1-12 Hours timer
- With remote control



## RTS001J/RTS001R

- Product height : 41 inches
  - 3 speed settings
  - Rated power: 60W
  - Oscillation function
- Only for RTS001R
- Product Height : 41 inches
  - With LED display and touch panel
  - 4 speed settings and 3 wind type for selection:Natural/Sleep/Normal
  - Rated power: 60W
  - Oscillation function
  - 1-24 Hours timer
  - With remote control



## ATF-008/ATF-008L

- Product height ; 43 inches
  - Rated power: 60W
  - Mechanical control
  - 3 speed settings
  - Widespread oscillation
  - Easy carry handle
- Only for ATF-008L
- With remote control
  - With touch button
  - With LED display
  - 3 wind types
  - 1-12 hours timer
  - With room temperature display



## ATF-011H/ATF-011HL

- Product Height ; 43 inches
  - Rated power: 60W
  - Mechanical Control
  - 3 speed settings
  - Widespread oscillation
  - Easy carry handle
- Only for ATF-011HL
- Quiet operation
  - Remote control and touch control panel
  - With LED indicator light and temperature display
  - Three speed settings and wind type for selection: Natural/Sleep/Normal
  - Widespread oscillation
  - 0 to 7 hours timer settings



Model	Power	G.W./N.W.(kg)	Gift box(mm)	PCS/20	PCS/40	PCS/40HQ
FTS001R/FTS002R	50W	4.5/3.5	195×200×1095	655	1358	1592
RTS001J/RTS001R	50W	4.6/3.5	195×195×1090	676	1404	1643
ATF-008/ATF-008L	60W	4.9/3.9	1115×220×205	535	1138	1358
ATF-011H/ATF-011HL	60W	3.9/3.1	1124×186×175	735	1612	1868

### BL-FS1-J/BL-FS1-D

- Product height :47inches
- 3 speed settings
- Rated power: 50W
- Widespread oscillation

- Only for BL-FS1-D
- 0-12 hours timer settings
  - With remote controls
  - With LED display
  - With 3 wind types



### BL-FS2-J/BL-FS2-D

- Product height :47inches
- 3 speed settings
- Rated power: 50W
- Widespread oscillation

- Only for BL-FS2-D
- 0-12 hours timer settings
  - With remote controls
  - With LED display
  - With 3 wind types



Model	Power	G.W./N.W.(kg)	Gift box(mm)	PCS/20	PCS/40	PCS/40HQ
BL-FS1/BL-FS2	50W	4.8/3.7	200x220x1230	450	945	1170





### ATF-018L

- Product height : 32 inches
- Mechanical control
- 3 speed settings
- Rated power: 60W
- Water curtain system
- 3L water tank can be pull out

Model	Power	G.W./N.W.(kg)	Gift box(mm)	Export carton(mm)	PCS/20	PCS/40	PCS/40HQ
ATF-018L	60W	5.6/4.6	215x230x1010	/	520	1120	1320

### ATF-015/ATF-015L

- Product height : 30 inches
- Mechanical control
- 3 speed settings
- Rated power: 70W
- Water curtain system
- 3L water tank
- With swing louvers

Only for ATF-015L

- With remote control
- With touch control
- With LED display
- 3 wind types
- 1-12 hours timer



WATER TOWER FAN

Model	Power	G.W./N.W.(kg)	Gift box(mm)	PCS/20	PCS/40	PCS/40HQ
ATF-015/ATF-015L	70W	5.3/4.0	330x270x870	345	716	843

### ATF-018/ATF-018L

- Product height : 32 inches
- Mechanical control
- 3 speed settings
- Rated power: 60W
- Water curtain system
- 3L water tank can be pull out

- Only for ATF-018L
- With remote control
  - With touch control
  - With LED display
  - 3 wind types
  - 1-12 hours timer
  - With room temperature display



### ATF-019/ATF-019L

- Product height : 32 inches
- Mechanical control
- 3 speed settings
- Rated power: 60W
- Water curtain system
- 3L water tank can be pull out

- Only for ATF-019L
- With remote control
  - With touch control
  - With LED display
  - 3 wind types
  - 1-12 hours timer
  - With room temperature display



### BL-SD3-D

- Product height : 32 inches
- Rated power: 80W
- With remote control
- With touch control
- With LED display
- 3 speed settings
- 3 wind types
- 7 hours timer
- 5L water tank



### NDY-DT3R

- Product Height : 39 inches
- With remote control
- With touch control panel
- With LED display
- 3 speed settings
- 3 wind types
- 0-12h timer
- Rated power: 50W
- Water curtain system
- 2.5L water tank



Model	Power	G.W./N.W.(kg)	Gift box(mm)	PCS/20	PCS/40	PCS/40HQ
ATF-018/ATF-018L	60W	5.6/4.6	215×230×1010	520	1120	1320
ATF-019/ATF-019L	60W	5.7/4.7	215×230×1020	515	1110	1305
BL-SD-3-D	80W	7.9/5.7	342×285×920	300	635	752
NDY-DT3R	50W	6.3/5.0	235×235×1090	450	950	1110

### BL-SD1-D

- Product height : 41 inches
- Rated power: 80W
- With remote control
- With touch control
- With LED display
- 3 speed settings
- 3 wind types
- 12 hours timer
- 6L water tank



### BL-SD2-D

- Product Height : 41 inches
- Rated power: 80W
- With remote control
- With touch control
- With LED display
- 3 speed settings
- 3 wind types
- 12 hours timer
- 6L water tank



### ATF-017/ATF-017L

- Product height : 41 inches
- Mechanical control
- 3 speed settings
- Rated power: 60W
- Water curtain system
- 2.5L water tank can be pull out

- Only for ATF-017L
- With remote control
  - With touch control
  - With LED display
  - 3 wind types
  - 0-12 hours timer
  - With room temperature display



### ATF-010/ATF-010L

- Product height ; 41 inches
- Rated power: 60W
- Mechanical control
- 3 speed settings
- Widespread oscillation
- Water curtain system
- 3L water tank can be pull out completely for easy clean
- Easy carry handle

- Only for ATF-010L
- With remote control
  - With touch button
  - With LED display
  - 3 wind types
  - 1-12 hours timer
  - With room temperature display



WATER TOWER FAN

Model	Power	G.W./N.W.(kg)	Gift box(mm)	PCS/20	PCS/40	PCS/40HQ
BL-SD1-D/BL-SD2-D	80W	6.3/5.1	335×295×1110	245	520	630
ATF-017/ATF017L	60W	5.7/4.7	215×230×1020	515	1110	1305
ATF-010/ATF-010L	60W	7.0/5.9	1080×240×300	345	770	869

### KFC-825/KFC-825A

- Power: 65W
- Manual control
- Fan function: Low/Mid/High
- 6.5L water tank
- Swing function for wide range air flow
- Water tank can be pull out

Only for KFC-825A

- Touch control panel
- With remote control
- Water curtain system
- 0-12 hours timer settings

Model	Power	G.W./N.W.(kg)	Gift box(mm)	Export carton(mm)	PCS/20	PCS/40	PCS/40HQ
KFC-825/KFC-825A	65W	6.6/5.5	335x350x755	/	300	630	750



AIR COOLER

### FS-207L

- Three speed settings
- Power: 10W
- Timer function: 12 hours
- LED display
- Easy carry handle
- With ultrasonic humidifier
- 150ml water tank
- DC 5V

### KLW-018A2

- 5V DC
- 3.5W
- Three speed settings
- Water tank: 375ML
- 7 colors LED light
- Adapter for optional  
(Adapter Input:100-240V,50-60Hz)

Model	Power	G.W./N.W.(kg)	Gift box(mm)	Export carton(mm)	PCS/20	PCS/40	PCS/40HQ
FS-207L	10W	1.0/0.85	150x120x210	315x255x440	6200	12960	15360
KLW-018A2	3.5W	0.85/0.7	153x153x160	325x325x340	6240	12880	14720

## VT-AC002

- Power: 3.5w
- Material:ABS+PC
- 5V, DC, USB
- Six speed settings
- Night light: 7 colors
- Tank capacity: 400-450mL



## KFC-817/KFC-817A

- Power: 65W
- Manual control
- Fan function: Low/Mid/High
- Swing function for wide range air flow
- 3.5L water tank with ice crystal refrigeration for cooling
- Water tank can be pull out completely for easy cleaning

Only for KFC-817A

- With remote control
- Water curtain system
- Wind type:normal/natural/sleep
- 1-7 hours timer settings



## KFC-821/KFC-821A

- Power:65W
- Manual control only
- Water curtain system
- Fan function:low/mid/high
- Water can be filled at the top panel
- Swing function for wide range air flow
- 5L water tank ice crystal refrigeration for cooling

Only for KFC-817A

- 0 to 7 hours timer settings
- Touch control panel
- With remote control



## KFC-816(01)/KFC-816A(01)

- Power: 65W
- Manual control
- Fan function: Low/Mid/High
- 6L water tank with ice crystal refrigeration for cooling
- Swing function for wide range air flow
- Water tank can be pull out completely for easy cleaning

Only for KFC-816A(01)

- Touch control panel and with remote control
- Water curtain system
- Wind type:normal/natural/sleep
- 0.5-7.5 hours timer settings



AIR COOLER

Model	Power	G.W./N.W.(kg)	Gift box(mm)	Export carton(mm)	PCS/20	PCS/40	PCS/40HQ
VT-AC002	3.5W	1.1/0.9	170x170x175	525x355x370	4872	10080	11880
KFC-817/KFC-817A	65W	5.0/4.0	325x295x625	325x295x625	450	950	1100
KFC-821/KFC-821A	65W	4.2/3.2	310x310x620	310x310x620	455	955	1110
KFC-816(01)/KFC-816A(01)	65W	7.7/5.7	335x330x780	335x330x780	315	690	790

### KFC-816(02)/KFC-816A(02)

- Power: 65W
- Manual control
- Fan function: Low/Mid/High
- Swing function for wide range air flow
- 6L water tank with ice crystal refrigeration for cooling
- Water tank can be pull out completely for easy cleaning

Only for KFC-816A(02)

- Cooler area: 8-10m<sup>2</sup>
- Touch control panel and with remote control
- Water curtain system
- Wind type:normal/natural/sleep
- 1-12 hours timer settings



### KFC-819/KFC-819A

- Power: 65W
- Manual control
- Fan function: Low/Mid/High
- Water can be filled at the top panel
- Swing function for wide range air flow
- 6L water tank with ice crystal refrigeration for cooling
- Water tank can be pull out completely for easy cleaning

Only for KFC-819A

- Touch control panel and with remote control
- Water curtain system
- Wind type:normal/natural/sleep
- 0.5 to 7.5 hours timer setting



### KFC-818/KFC-818A

- Power: 65W
- Manual control only
- Water curtain system
- Fan function: low/mid/high
- Swing function for wide range air flow
- Water tank can be pull out for easy clean
- 10L water tank ice crystal refrigeration for cooling

Only for KFC-818A(01)

- With fresh air ionizer
- Water curtain system
- Wind type:normal/natural/sleep
- 1-8 hours timer settings



Model	Power	G.W./N.W.(kg)	Gift box(mm)	PCS/20	PCS/40	PCS/40HQ
KFC-816(02)/KFC-816A(02)	65W	7.7/5.7	335x330x800	305	645	760
KFC-819/KFC-819A	65W	7.0/5.9	314x330x770	/	731	821
KFC-818/KFC-818A	65W	8.6/7.0	435x375x820	/	442	510

## BL-228DL

- Strong air volume, low noise
- Honeycomb cooling pad
- Water cycling, green product
- 3-position speed adjustment
- 12 hours timer
- 90 degrees auto swing
- With ice pack included
- LED display & remote contro



## ACF02A/ACF02AL

- Air cooler / Humidifier / Air Purifier 3 IN 1
- 3 position speed
- Original bionic handle design,Hidden casters
- New Honeycomb cooling pad, Max air follow: 300m3/h
- 60 degrees overall automatic swing
- Water tank capacity: 10L, 2 big ice boxes
- Max Noise: ≤60dB

Only for ACF02AL

- With touch control
- With LED display
- RC, 24h timer
- 1-8 hours timer settings
- Brightness adjustable, display closing function



## ACF02B/ACF02BL

- Air cooler / Humidifier / Air Purifier 3 IN 1
- 3 position speed
- Original bionic handle design,Hidden casters
- New Honeycomb cooling pad, Max air follow: 300m3/h
- 60 degrees overall automatic swing
- Water Tank Capacity: 10L, 2 big ice boxes
- Max Noise: ≤60dB

Only for ACF02AL

- With touch control
- With LED display
- RC, 24h timer
- 1-8 hours timer settings
- Brightness adjustable, display closing function



Model	Power	G.W./N.W.(kg)	Gift box(mm)	PCS/20	PCS/40	PCS/40HQ
BL-228DL	65W	5.5/6.2	335x305x675	490	890	980
ACF02A/ACF02AL	65W	5.3/4.3	296x258x490	725	1525	1850
ACF02B/ACF02BL	65W	5.3/4.3	296x258x490	725	1525	1850

## BFK2101R

- Power: 80W
- 3 speed settings
- Wind type for selection: Natural/Sleep/Normal
- 2L water tank
- Swing function for wide range air flow
- 8h timer
- With remote control



## BFK1901R

- Power: 110W
- 3 speed settings
- Wind type for selection: Natural/Sleep/Normal
- 3L water tank
- Swing function for wide range air flow
- 8h timer
- With remote control



## FKT001/FKT005R/FKT007R

- Power: 60W
- 3 wind speeds adjustable
- With universal
- Left & right automatic sweep, up & down manual adjustment
- 8L water tank capacity
- Portable handle

- Only for FKT005R
- 3 wind modes
  - With timer
  - Touch control panel
  - With remote control
  - LED display (only for FKT007R)



Model	Power	G.W./N.W.(kg)	Gift box(mm)	PCS/20	PCS/40	PCS/40HQ
BFK-2101R	80W	4.2/3.0	310x240x680	560	1150	1350
BFK1901R	100W	6.9/5.1	310x270x780	430	880	1040
FKT001/FKT005R/FKT007R	60W	4.2/5.2	300x275x690	460	1000	1180





### DFC-F14M

- Size: 14 inch
- Power: 140W
- Powder coated
- Air circulator
- High velocity
- 3 speed setting
- Aluminum blade

Model	Power	G.W./N.W.(kg)	Gift box(mm)	PCS/20	PCS/40	PCS/40HQ
DFC-F14M	150W	7.8/6.5	450x520x270	430	900	1060



METAL FAN

### DFC-F4

- Size: 4 inch
- Power: 4W
- 4 aluminum blades
- 2 speeds
- 360 degree tilting angle

### DFC-V12

- Size: 12 inch
- Power: 35W
- 3 speed settings
- With oscillation
- Metal base
- Chrome/copper/powder coated for option

Model	Power	G.W./N.W.(kg)	Gift box(mm)	Export carton(mm)	PCS/20	PCS/40	PCS/40HQ
DFC-F4	28W	0.45/0.3	149x94x155	640x480x490	10800	22800	26760
DFC-V12	35W	3.7/3.1	350x350x220	/	1000	2115	2480



### FE-20MM

- Size: 8inch
- Power:25w
- 2 speed settings
- With up down tilt angle

Power	Gift box(mm)	G.W./N.W.(kg)	PCS/20/40/40HQ
25W	345x145x355	3.4/2.6	1392/2886/3352



### FT-30MJ3

- Size: 12inch
- Power:35w
- 3 speed settings
- Oscillation function

Power	Gift box(mm)	G.W./N.W.(kg)	PCS/20/40/40HQ
35W	365x365x295	3.90/3.2	672/1344/1536



### DFC

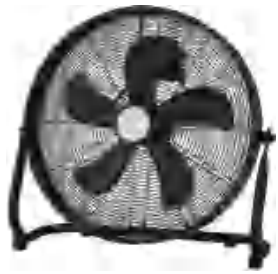
- Size: 12"/14"/16"/18"/20" for option
- Chrome finish / Powder coated for option
- 3 speed settings
- 3 aluminum blades

Power	Gift box(mm)	G.W./N.W.(kg)	PCS/20/40/40HQ
40W	360x360x170	3.3/2.7	1125/2585/3040
50W	420x430x180	3.7/2.9	830/1750/2060
90W	470x470x185	4.2/3.5	660/1395/1640
110W	510x510x185	5.6/4.7	560/1185/1390
120W	550x550x190	6.4/5.4	470/990/1165

### DFC-F12R

- Size: 12 inch rechargeable floor fan
- Power: 45W
- 15600mAh Lithium battery
- 3 speed settings
- With oscillation function
- Metal body
- Cordless use
- 4 hours in high speeds, 15 hours in low speeds

Power	Gift box(mm)	G.W./N.W.(kg)	PCS/20/40/40HQ
45W	450x220x400	3.4/2.6	680/1440/1690



### FE-30N/FE-35N/FE-40N

- Size: 12inch/14inch/16inch
- Power:35w/45w/55w
- 5 iron blades
- 3 speed settings
- 120°Adjustable up down tilt angel

Power	Gift box(mm)	G.W./N.W.(kg)	PCS/20/40/40HQ
35W	410×180×355	3.8/3.4	1092/2238/2548
45W	440×200×430	6.9/5.8	780/1585/1746
55W	510×200×490	4.2/3.8	572/1188/1357



### DFT-V16

- Size: 16 inch
- Power: 50W
- 3 speed settings
- With oscillation function
- Metal base
- Chrome/copper/powder coated for option

Power	Gift box(mm)	G.W./N.W.(kg)	PCS/20/40/40HQ
50W	465x160x490	7.2/6.3	740/1560/1835



### DFT-B-B/DFT-B

- Size: 16"/18" for option
  - With oscillation function
  - 3 speed settings
  - Aluminum blades
  - Height: 1.4m
- Only for DFT-B
- Size: 16"/18"/20" for option
  - 3 speed settings
  - Aluminum blades
  - Height: 1.4m

Power	Gift box(mm)	G.W./N.W.(kg)	PCS/20/40/40HQ
90W	510x310x610	9.2/8.2	280/590/695
100W	570x310x570	9.9/8.9	265/565/665
90W	470x250x480	8.7/8.0	475/1010/1185
100W	510x250x520	9.4/8.6	405/860/1010
120W	550x250x560	10.4/9.6	350/740/870



### DFT-K

- Size: 16"/18"/20" for option
- With oscillation function
- 3 speed settings
- Aluminum blades

Power	Gift box(mm)	G.W./N.W.(kg)	PCS/20/40/40HQ
80W	670x160x450	8.0/7.1	-/-/1400
90W	710x160x510	8.4/7.5	-/-/1170
110W	760x160x560	9.2/8.1	-/-/1000

METAL FAN



### FE-40MJ3

- Size: 16inch
- Power:50w
- 3 speed settings
- Oscillation function
- Height adjustable function

Power	Gift box(mm)	G.W./N.W.(kg)	PCS/20/40/40HQ
50W	500×465×325	7.5/6.1	385/804/919



### FE-40MD

- Size: 16inch
- Power:50w
- 3 speed settings
- Adjustable height

Power	Gift box(mm)	G.W./N.W.(kg)	PCS/20/40/40HQ
50W	570×180×660	/	462/965/1103



### SKA-12C

- Cooling capacity (btu/h): 12000
- Power consumption in standby mode <0.5W
- Rated input(cooling): 1350W
- Rated current(cooling): 5.89A
- EER for cooling(R290): 2.61W/W
- Moisture removal(L/h): 2.9L/h
- Air circulation(m³/h): 400
- Noise High dB(A): 57

Model	Power	G.W./N.W.(kg)	Gift box(mm)	Export carton(mm)	PCS/20	PCS/40	PCS/40HQ
SKA-12C	1350W	30.5/29	480x420x885	480x420x885	/	/	395



AIR CONDITIONER

### FDP15-1060R5

- Cooling Capacity:5000BTU
- Cooling power:570W
- EER:A
- 24h timer
- Fan speed:2
- With casters
- Washable filter
- Noise level: ≤52
- Refrigerant:R290
- With sleeping mode
- Window kiit included
- With remote control
- Water full alarm function
- Dehumidifying Capacity:15L/day
- Air Flow Volume:250m³/h
- Temperature Setting:15-31
- With LED(88) control panel
- Operation Mode:Cooling/fan/dehumidifying/AUTO

### FDP20-1061R5

- Cooling Capacity:7000BTU
- Cooling power:750W
- EER:A
- 24h timer
- Fan speed:2
- With casters
- Washable filter
- Noise level: ≤52
- Refrigerant:R290
- With sleeping mode
- Window kiit included
- With remote control
- Water full alarm function
- Dehumidifying Capacity:19.2L/day
- Air Flow Volume:250m³/h
- Temperature Setting:15-31
- With LED(88) control panel
- Operation Mode:Cooling/fan/dehumidifying/AUTO

Model	Power	Gift box(mm)	G.W./N.W.(kg)	PCS/20	PCS/40	PCS/40HQ
FDP15-1060R5	570W	21.0/19.0	372x372x851	180	384	570
FDP20-1061R5	570W	21.0/19.0	372x372x851	180	384	570

## FDP26-1160R5/FDP26-1161R5

- Cooling Capacity:9000BTU
- Cooling power:950W
- EER:A
- 24h timer
- Fan speed:3
- With casters
- Noise level:≤54
- Washable filter
- Refrigerant:R290
- With remote control
- Autoswing for option
- With sleeping mode
- Window kiit included
- Water full alarm function
- Air Flow Volume:300m<sup>3</sup>/h
- Temperature Setting:15-31
- With LED(88) control panel
- Dehumidifying Capacity:30L/day
- Front LED digital display for option
- Operation Mode:Cooling/fan/dehumidifying/AUTO



## FDP26-1153R5

- Cooling Capacity:9000BTU
- Cooling power:950W
- EER:A
- 24h timer
- Fan speed:2
- With casters
- Noise level:≤54
- Washable filter
- Refrigerant:R290
- With remote control
- Autoswing for option
- With sleeping mode
- Window kiit included
- Water full alarm function
- Air Flow Volume:370m<sup>3</sup>/h
- Temperature Setting:15-31
- With LED(88) control panel
- Dehumidifying Capacity:30L/day
- Operation Mode:Cooling/fan/dehumidifying/AUTO



## FDP35-1250R5

- Cooling capacity:12000BTU
- Cooling power:1120W
- EER:A
- 24h timer
- Fan speed:3
- With casters
- Noise level:≤55
- Washable filter
- Refrigerant:R290
- With remote control
- Autoswing for option
- With sleeping mode
- Window kiit included
- Water full alarm function
- Air Flow Volume:430m<sup>3</sup>/h
- Temperature Setting:15-31
- With LED(88) control panel
- Dehumidifying Capacity:40L/day
- Operation Mode:Cooling/fan/dehumidifying/AUTO



## SKA-07C/SKA-09C

- Cooling capacity (btu/h): 7000/9000
- Power consumption in standby mode <0.5W
- Rated input(cooling): 788W/1010W
- Rated current(cooling): 3.43A/4.41A
- EER for cooling(R290): 2.61W/W
- Moisture removal(L/h): 0.6L/h / 1L/h
- Air circulation(m<sup>3</sup>/h): 350
- Noise High dB(A): 53/55



Model	Power	G.W./N.W.(kg)	Gift box(mm)	PCS/20	PCS/40	PCS/40HQ
FDP26-1160R5/FDP26-1161R5	950W	24.0/22.0	382x410x880	382	410	880
FDP26-1153R5	950W	31.0/28.0	410x410x870	140	290	430
FDP35-1250R5	1120W	32.5/29.5	435x435x1023	130	270	330
SKA-07C	788W	25/22	407.8x435x1023	/	/	510
SKA-09C	1010W	28/26	407.8x380x873	/	/	510



[www.nbclimate.com](http://www.nbclimate.com)

## **Ningbo Climate Electric Appliance Co.,Ltd**

**Head Office:** Room <18-1>, 18th Floor, Jinshuai Mansion, Cixi City, Ningbo, China

Tel: +86-574-63032661

MOB: +86-18657487272

E-mail: [Albert.Chen@nbclimate.com](mailto:Albert.Chen@nbclimate.com)

P.C.: 315300